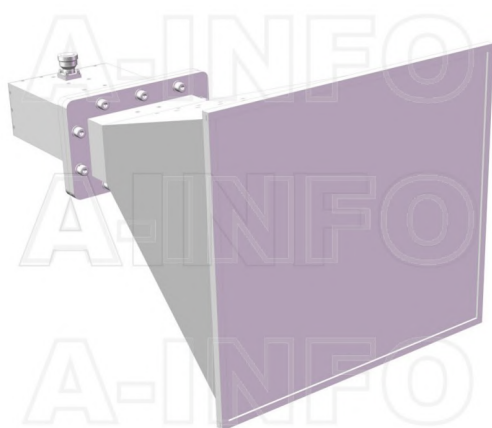


LB-08420-10-C-7/16FSPO Multi Octave Horn Antenna 0.84-2GHz 10dB Gain 7/16 DIN Female



Multi Octave Horn Antenna Operating From 0.84GHz to 2GHz With a Nominal 10dB Gain With 7/16 DIN Female Connector

Product Information

SKU	LB-08420-10-C-7/16FSPO
-----	------------------------

Description

Multi octave horn antenna LB-08420-10-C-7/16FSPO, operating from 0.84 to 2GHz with a nominal 10dB gain and low VSWR 1.5:1 with 7/16 DIN Female output connector. The model LB-08420-10-C-7/16FSPO has uniform gain through its frequency span, providing efficient performance characteristics and directionality. It can handle 500W continuously and 5000W peak power. Constructed of lightweight corrosion-resistant aluminum, the horn comes with a specially designed weatherproof radome which provides excellent protection against the rain and dust but has very little loss across the full operating frequency band. This multi octave horn antenna is linearly polarized and ideally suited for EMI testing, direction finding, surveillance, antenna gain and pattern measurements and other applications.

Technical Specification

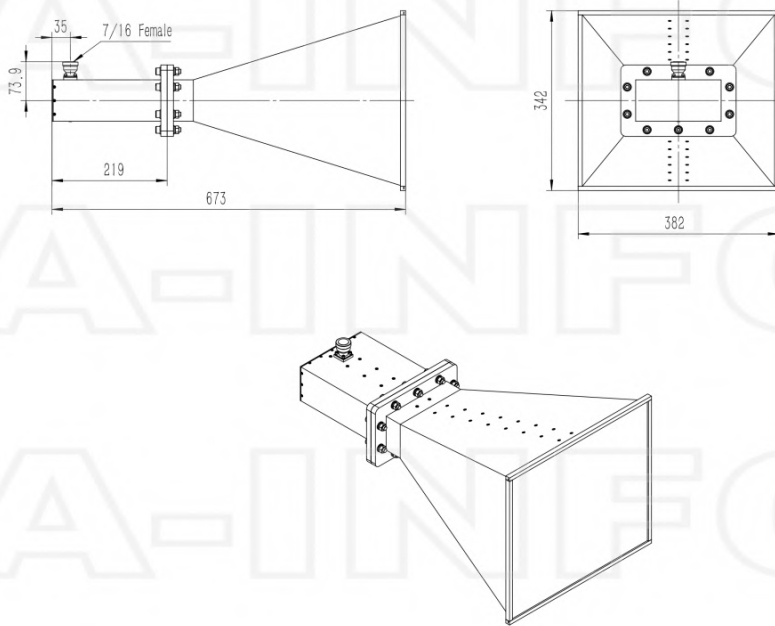
Electrical Specification		Interface	
Frequency, Min (GHz)	0.84	Output Type	Coaxial
Frequency, Max (GHz)	2	Connector	7/16 DIN
Waveguide Type	Double Ridge	Connector Gender	Female
Waveguide Size EIA WRD	WRD84	Mechanical Specification	
Gain, Typ (dBi)	10	Figure	C Type
Polarization	Linear	Body Material	Al
Cross Pol. Isolation, Typ (dB)	25	Finish	Chemical Conversion Coating, Gray Paint
VSWR, Typ	1.5:1	Size, W (mm)	382
Impedance, (Ohm)	50	Size, H (mm)	342
Power Handling, CW, (W)	500	Size, L (mm)	673
Power Handling, Peak, (W)	5000	Weight, (kg)	8.9

Additional Information

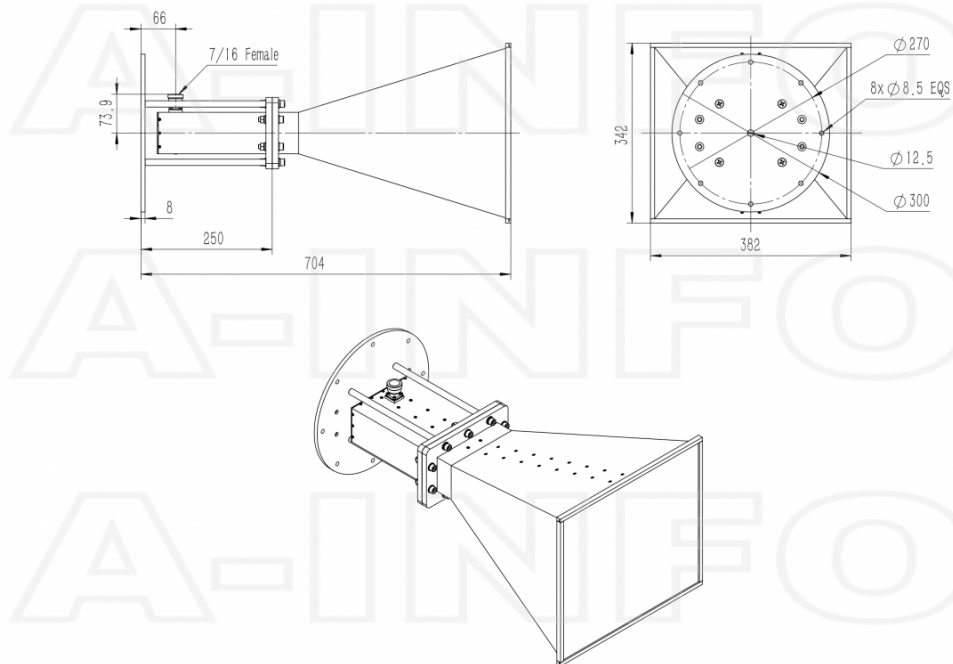
Application	Outdoor, Waterproof and Dustproof, Fixed	Solution for	Gain Reference Antenna Measurement Far-field Measurement System Intergration
-------------	--	--------------	---

Outline Drawing

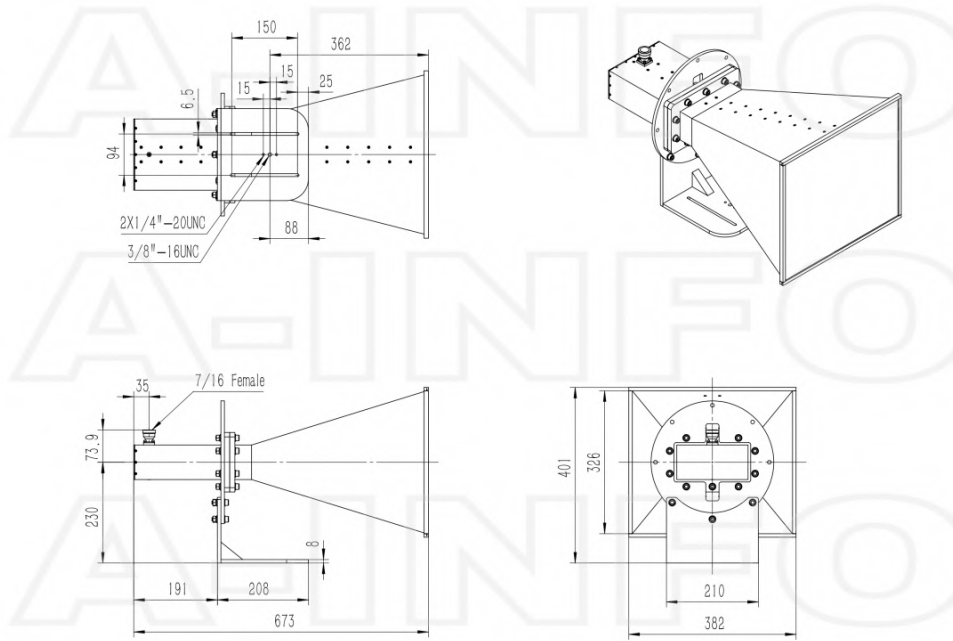
7/16 DIN-Female Output with Radome (Option, P/N: LB-08420-10-C-7/16FSPO, Outdoor Application)



7/16 DIN-Female Output with Round Mounting Bracket & Radome (Option, P/N: LB-08420-10-C-MB & LB-08420-10-C-7/16FSPO, Outdoor Application)



7/16 DIN-Female Output with L Type Mounting Bracket & Radome (Option, P/N: LB-08420-10-C-L & LB-08420-10-C-7/16FSPO, Outdoor Application)



Related Products



LB-08420-10-C-MB Round Type Mounting Bracket



LB-08420-10-C-L L type mounting bracket

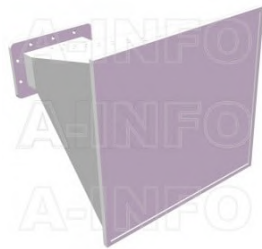


Tripod_50Kg Al Alloy Tripod

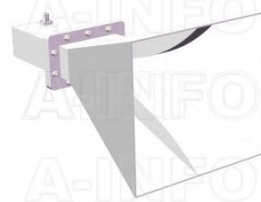
Similar Products



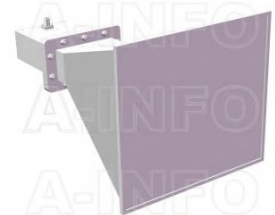
LB-08420-10-A Multi Octave Horn Antenna 0.84-2GHz 10dB Gain Double Ridge Waveguide Interface



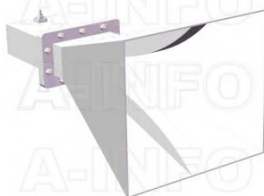
LB-08420-10-ASPO Multi Octave Horn Antenna 0.84-2GHz 10dB Gain Double Ridge Waveguide Interface



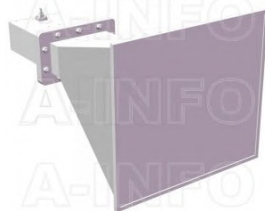
LB-08420-10-C-NF Multi Octave Horn Antenna 0.84-2GHz 10dB Gain N Type Female



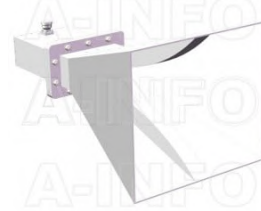
LB-08420-10-C-NFSPO Multi Octave Horn Antenna 0.84-2GHz 10dB Gain N Type Female



LB-08420-10-C-SF Multi Octave Horn Antenna 0.84-2GHz 10dB Gain SMA Female



LB-08420-10-C-SFSPO Multi Octave Horn Antenna 0.84-2GHz 10dB Gain SMA Female



LB-08420-10-C-7/16F Multi Octave Horn Antenna 0.84-2GHz 10dB Gain 7/16 DIN Female

About this Datasheet

- Product Information

Product Link:
<https://www.ainfoinc.com/lb-08420-10-c-7-16fspo-multi-octave-horn-antenna-0-84-2-ghz-10db-gain-7-16-din-female>
 Data subject to change without notice.
 © A-INFO INC. 2024. All Rights Reserved

- Contact Us

Address:
 60 Tesla, Irvine, CA 92618, USA

Website:
www.ainfoinc.com

Email:
sales@ainfoinc.com

- Phone & Fax

Phone:
 +1-949-639-9688
 +1-949-639-9608

Fax:
 +1-949-639-9670